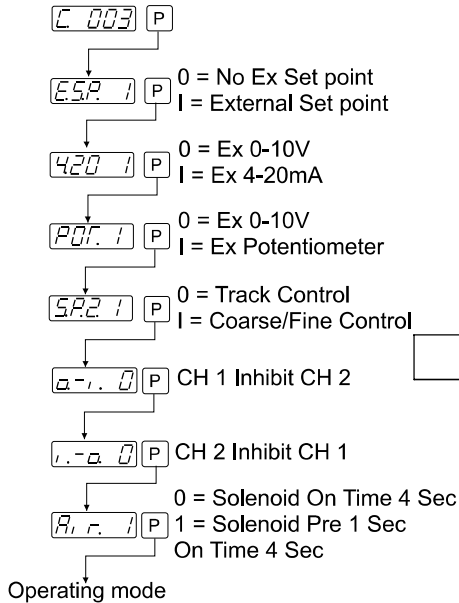
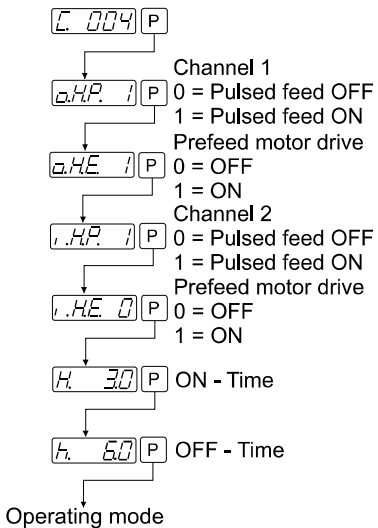


MTS Programming

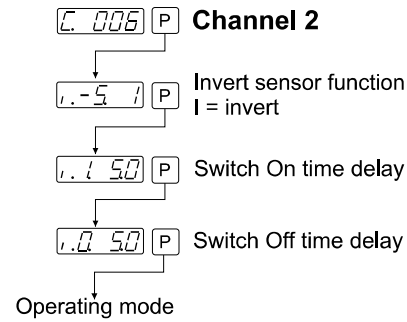
Function Settings



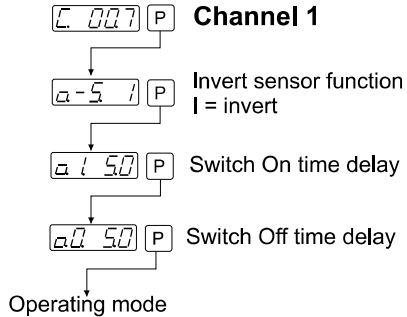
Prefeeder



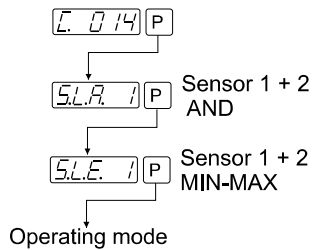
Track Control



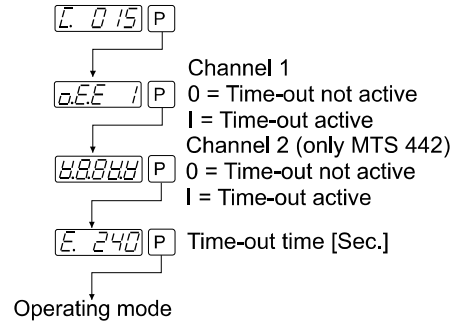
Track Control



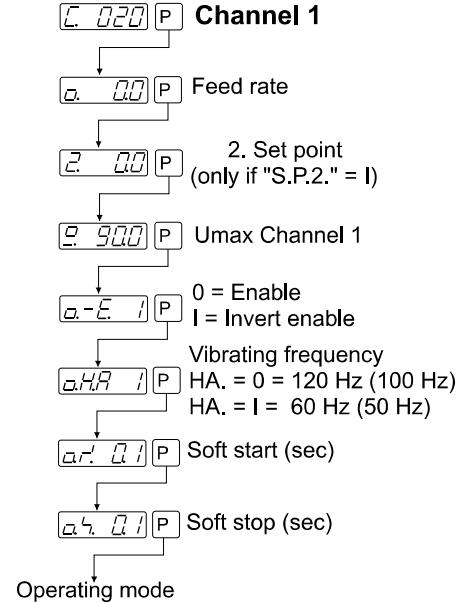
Sensor Logic 440/442



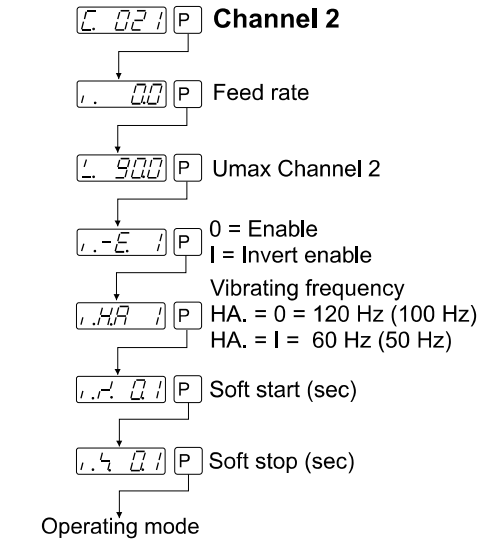
Sensor Timeout



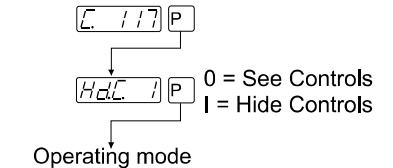
Feeder Settings



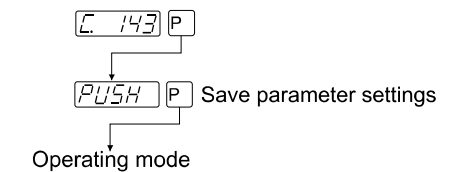
Feeder Settings



Inhibit Access



Save User Parameters



Save User Parameters

